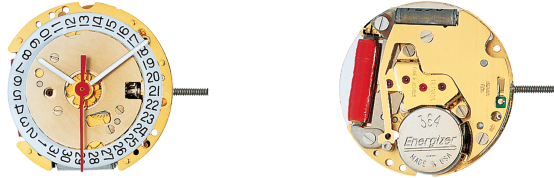


CALIBER 775 – 7³/₄"



Product Specifications

Analog quartz movement

Line	normtech
Caliber	775
Size	7 ³ / ₄ "
Version Swiss Made	5 Jewels / gold plated EOL
Version Swiss Parts	1 Jewels / nickel plated
Standard battery life	34 months
High battery life	48 months
Standard hand fitting height	1

Functions

- Date
- 3 hands

Features

- Repairable metal watch movement
- Power saving mechanism with pulled out stem:
Reduction of consumption approximately 70%
- Many high hand heights available

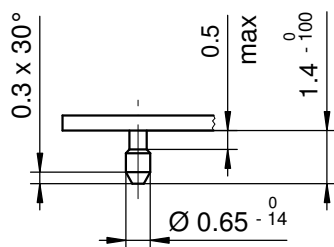
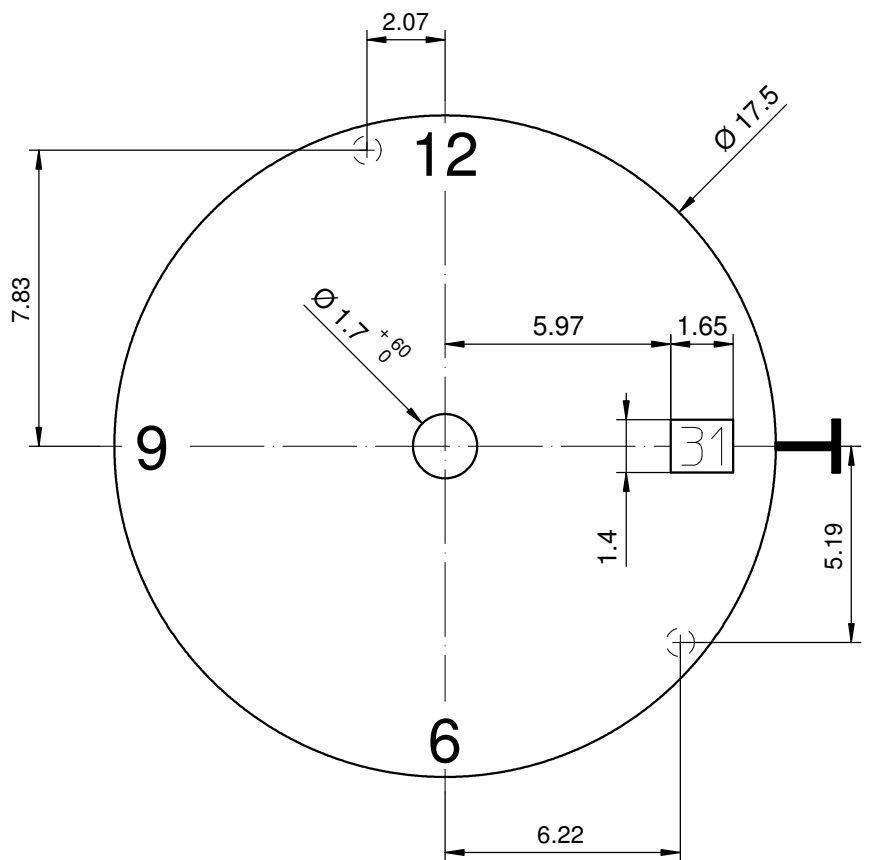
CALIBER 775 – 7³/₄"

Technical Specifications

Diameter Total	17.50 mm
Case fitting	17.20 mm
Movement height	2.50 mm
Height over standard battery	2.75 mm
Height over high battery	3.15 mm
Movement rest	0.30 mm
Height over stem	1.00 mm
Length of stem travel	0.90 mm
Stem thread	0.90 mm
Useful torque second – typical	7 µNm
Useful torque minute – typical	350 µNm
Operating temperature	0 - 50 °C
Instantaneous rate	-10/ +20 sec/month
Resistance to magnetic fields	18.8 Oe
Resistance against shock	NIHS 91-10

Battery Specifications

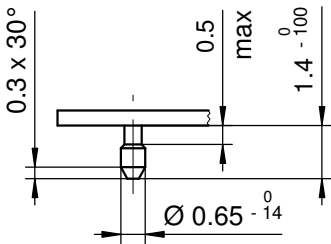
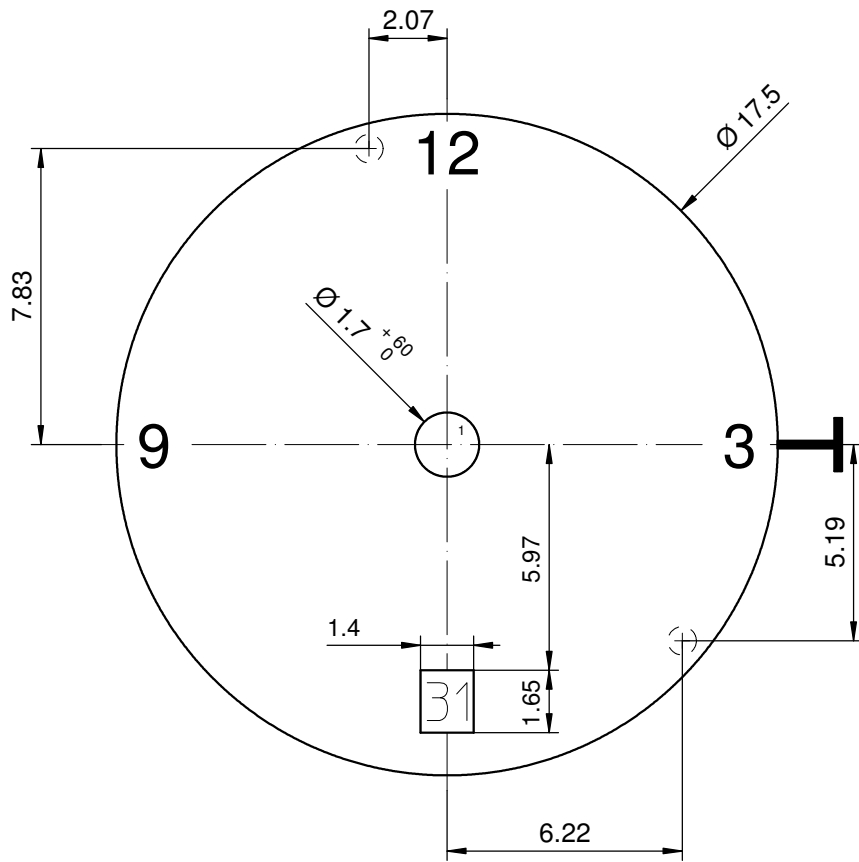
Standard battery	No. 364
High battery	No. 377
Standard battery life	34 months
High battery life	48 months
Battery voltage	1.5 V
Current consumption – typical	0.83 µA (Date Mechanism not in Gear)
Current consumption – maximum	1.35 µA (Date Mechanism not in Gear)



Tige	Date
Stellw.	Datum
Stem	Date
3H	3H

Epaisseur du cadran selon hauteur de l'aiguillage
 Zifferblattdicke gemäss Zeigerwerkhöhen
 Dial thickness according to hand fitting heights

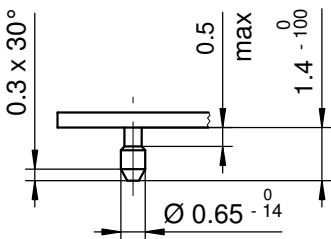
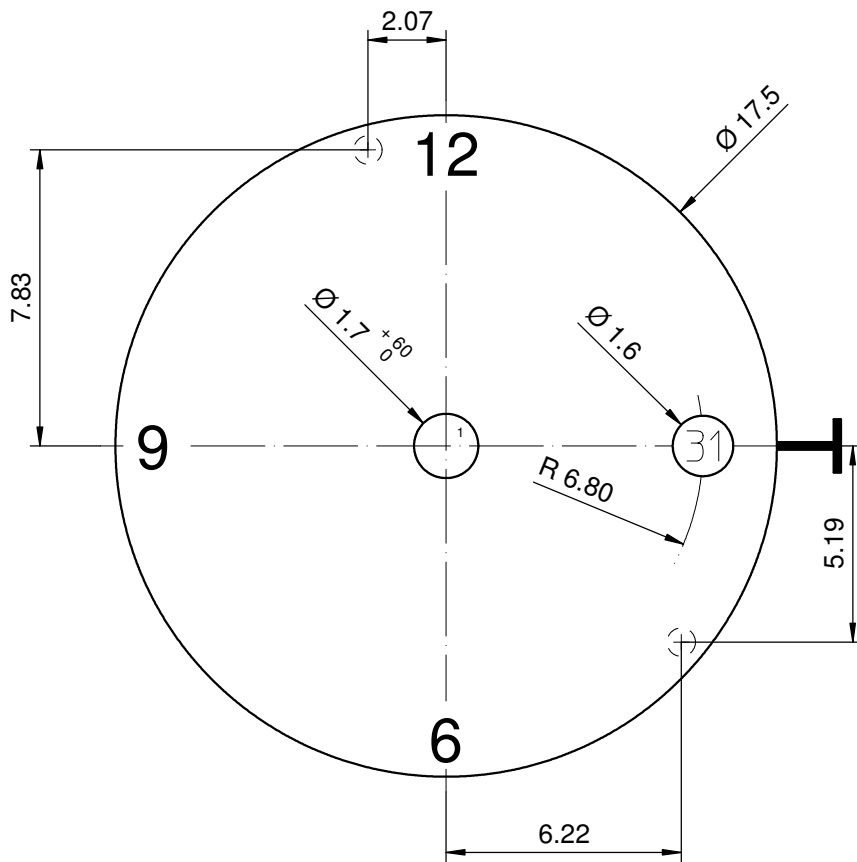
Cadran Zifferblatt Dial	7³/₄"	Issued	24 Jun 1985	rh
		Modified	08 Aug 2012 ÄA 12806	mc
		Released	YES	
		Tolerance	+/- 20 µm	
		Scale	5 : 1 (A4V)	
RONDA	774, 775	Sous réserve de modifications Aenderungenvorbehalten Modifications reserved		
		No.	5010.355	07



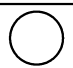
Epaisseur du cadran selon hauteur de l'aiguillage
 Zifferblattdicke gemäss Zeigerwerkhöhen
 Dial thickness according to hand fitting heights

Tige	Date
Stellw.	Datum
Stem	Date
3H	6H

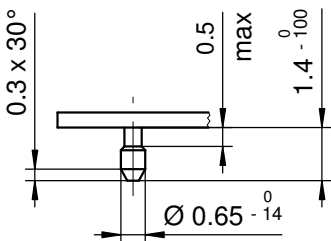
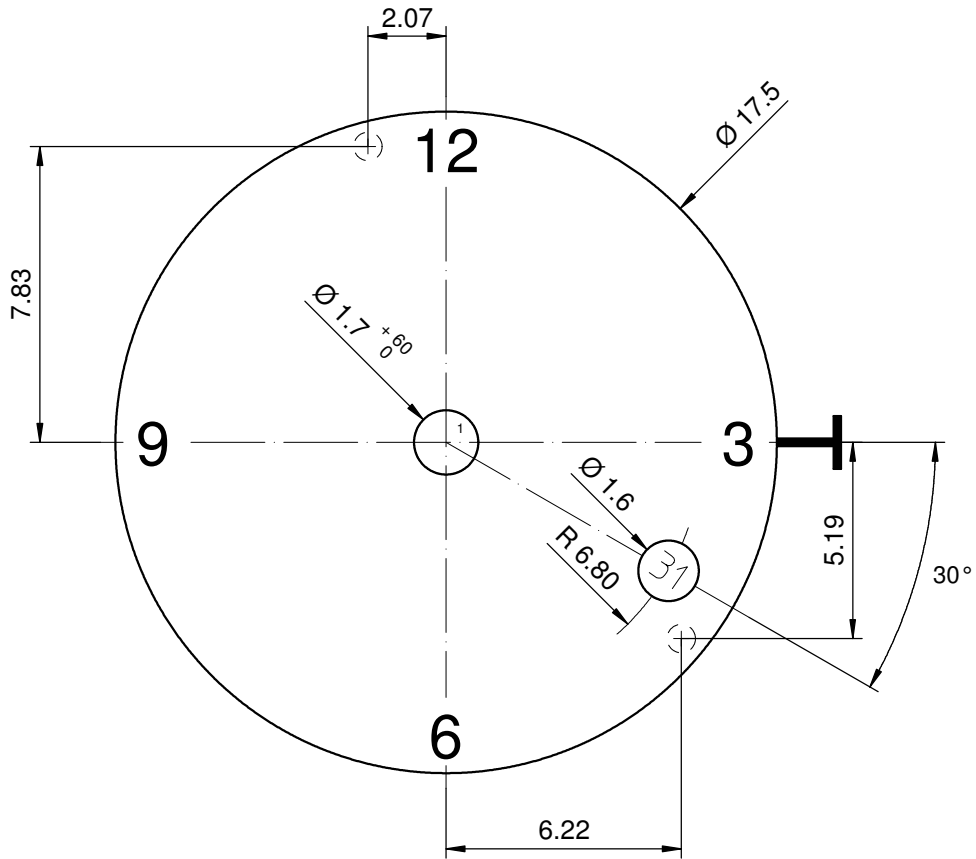
Cadran Zifferblatt Dial	7³/₄"	Issued	12 Dez 2006	cw
		Modified	08 Aug 2012 ÄA 12806	mc
		Released	YES	
		Tolerance	+/- 20 µm	
		Scale	5 : 1 (A4V)	
RONDA	774, 775	Sous réserve de modifications Aenderungenvorbehalten Modificationsreserved		
		No.	5010.388	07



Epaisseur du cadran selon hauteur de l'aiguillage
 Zifferblattdicke gemäss Zeigerwerkhöhen
 Dial thickness according to hand fitting heights

Tige	Date
Stellw.	Datum
Stem	Date
3H	3H
	

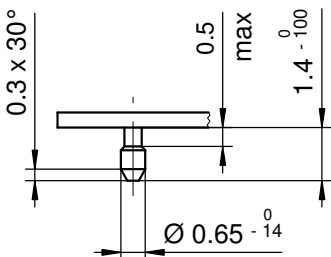
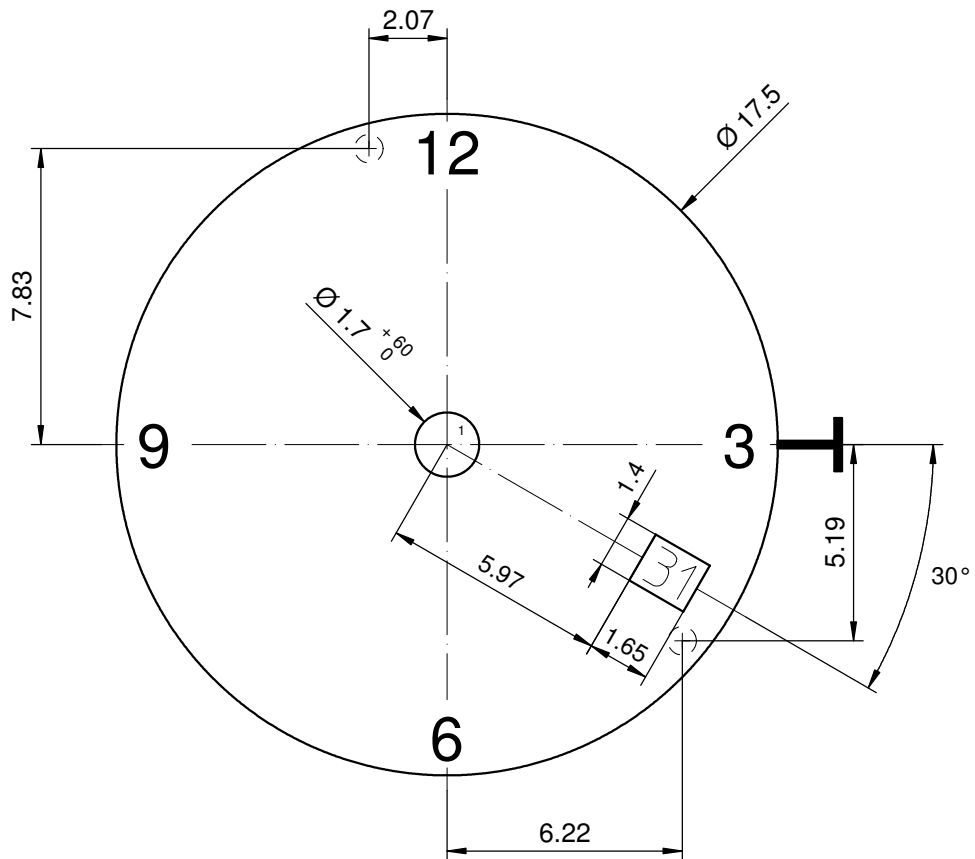
Cadran Zifferblatt Dial	7³/₄"	Issued	12 Dez 2006	cw
		Modified	08 Aug 2012 ÄA 12806	mc
		Released	YES	
		Tolerance	+/- 20 µm	
		Scale	5 : 1 (A4V)	
RONDA	774, 775	Sous réserve de modifications Aenderungenvorbehalten Modifications reserved		
		No.	5010.399	06



Epaisseur du cadran selon hauteur de l'aiguillage
 Zifferblattdicke gemäss Zeigerwerkhöhen
 Dial thickness according to hand fitting heights

Tige	Date
Stellw.	Datum
Stem	Date
3H	4H
○	

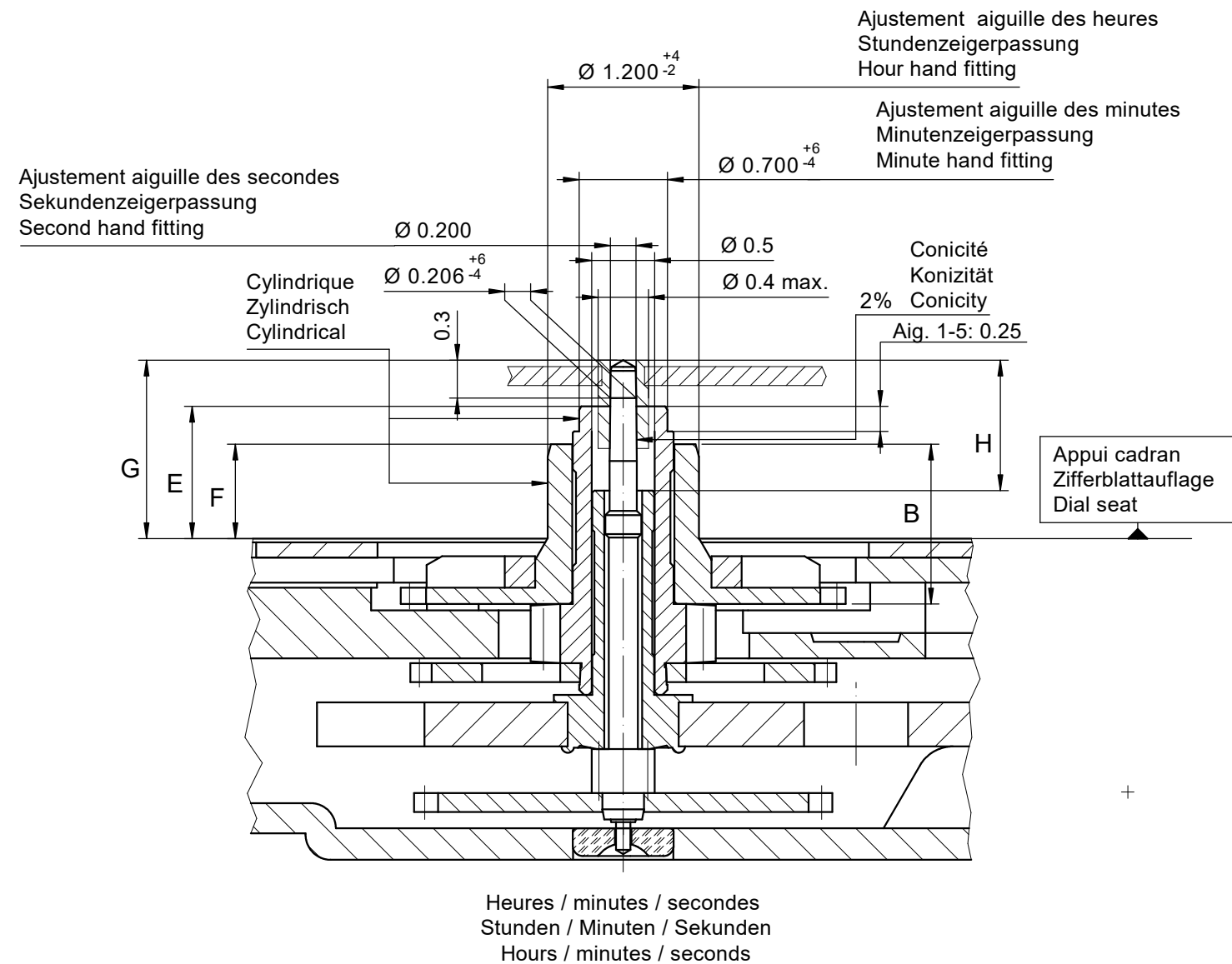
Cadran Zifferblatt Dial	7³/₄"	Issued	13 Dez 2006	cw
		Modified	08 Aug 2012 ÄA 12806	mc
		Released	YES	
		Tolerance	+/- 20 µm	
		Scale	5 : 1 (A4V)	
RONDA	774, 775	Sous réserve de modifications Aenderungenvorbehalten Modificationsreserved		
		No.	5010.613	03



Epaisseur du cadran selon hauteur de l'aiguillage
 Zifferblattdicke gemäss Zeigerwerkhöhen
 Dial thickness according to hand fitting heights

Tige	Date
Stellw.	Datum
Stem	Date
3H	4H

Cadran Zifferblatt Dial	7³/₄"	Issued	13 Dez 2006	cw
		Modified	08 Aug 2012 ÄA 12806	mc
		Released	YES	
		Tolerance	+/- 20 µm	
		Scale	5 : 1 (A4V)	
RONDA	774, 775	Sous réserve de modifications Aenderungenvorbehalten Modificationsreserved		
		No.	5010.614	03



Aiguillage no. Zeigerwerkhöhe Nr. Hand fitting height No	Dépassement Höhe über Zifferblattauflage Height over dial seat			Longueur Länge Length		Epaisseur max. (peinture comprise) Max. Dicke (inkl. Farbe) Max. thickness (paint included)			
	Pignon des secondes Sekundentrieb Second pinion	Chaussée Minutenrohr Cannon-pinion	Roue des heures Stundenrad Hour wheel	H	B	Cadran Zifferblatt Dial			Aiguilles Zeiger Hands
	G	E	F	H	B	Sous l'aiguille des secondes Unter Sekundenzeiger Under second hand	Sous l'aiguille des minutes Unter Minutenzeiger Under minute hand	Sous l'aiguille des heures Unter Stundenzeiger Under hour hand	
1	1.42	1.05	0.75	1.04	1.27	0.90	0.65	0.40	0.15
2	1.62	1.25	0.95	1.24	1.47	1.10	0.85	0.60	0.15
3	1.94	1.53	1.23	1.09	1.75	1.40	1.10	0.90	0.15
4	2.29	1.88	1.58	1.44	2.10	1.75	1.45	1.25	0.15
5	3.95	3.55	3.24	1.59	3.76	3.45	3.15	2.90	0.15

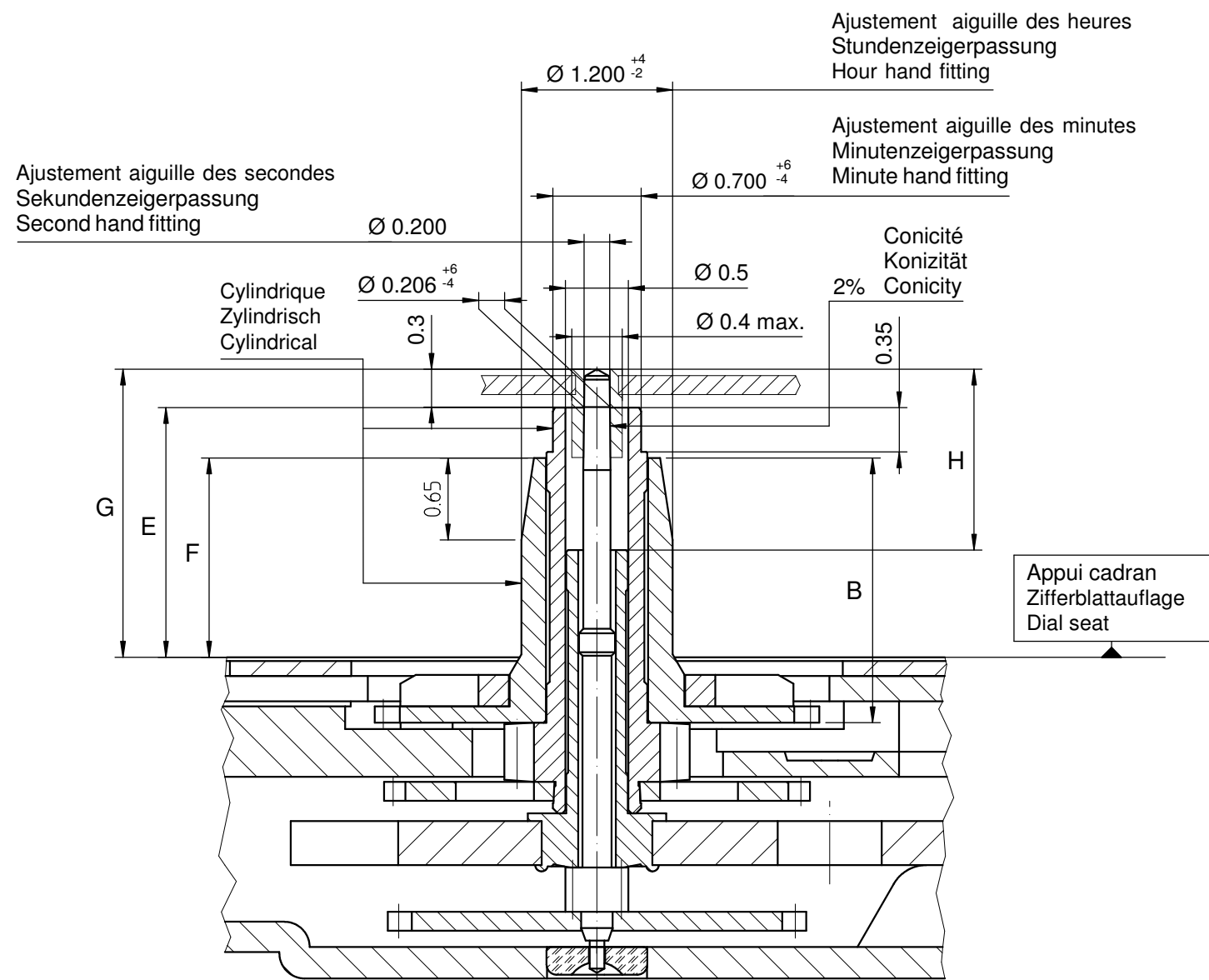
		Aig. des secondes Sekundenzeiger Second hand	Aig. des minutes Minutenzeiger Minute hand	Aig. des heures Stundenzeiger Hour hand	Lors de la pose d'aiguilles, le mouvement doit être soutenu. Beim Zeigersetzen muss das Werk abgestützt werden. The movement needs to be supported for hand setting.	
		775, 785	705, 715, 715Li	Alle/Tous/All	Kaliber/Calibre/Caliber	
mg	max.	10	10	30	30	Masse / Masse / Weight *
µNm	max.	0.05	0.05	0.70	0.70	Balourd / Unwucht / Unbalance *
gmm ²	max.	0.2	0.4	-	-	Inertie / Massenträgheit / Inertia *
N	max.	30	30	40	40	Force de chassage / Aufpresskraft / Force

Aiguillages Zeigerwerkhöhen Hand fitting heights	7 ³ / ₄ " , 8 ³ / ₄ "		Issued	09.08.1990	rh
	10 ¹ / ₂ " , 11 ¹ / ₂ "		Modified	10.01.2025	JK5228
			Released	YES	
			Mod. No.	48942	
			Tolerance	µm	
			Scale	10 : 1	Page 1/1 A3
RONDA 775, 785, 705, 715, 715Li			Sous réserve de modifications Änderungen vorbehalten Modifications reserved		
			No.	3316.030	16

* En cas de données différentes, veuillez contacter le service après-vente

* Bei abweichenden Werten, bitte technischen Kundendienst anfragen

* In case of different values, please contact the customer service



Heures / minutes / secondes
 Stunden / Minuten / Sekunden
 Hours / minutes / seconds

Aiguillage no Zeigerwerkhöhe Nr. Hand fitting height No	Dépassement Höhe über Zifferblattaufgabe Height over dial seat			Longueur Länge Length		Epaisseur max. (peinture comprise) Max. Dicke (inkl. Farbe) Max. thickness (paint included)			
	Pignon des secondes Sekundentrieb Second pinion	Chaussée Minutenrohr Cannon-pinion	Roue des heures Stundenrad Hour wheel			Cadran Zifferblatt Dial			Aiguilles Zeiger Hands
	G	E	F	H	B	Sous l'aiguille des secondes Unter Sekundenzeiger Under second hand	Sous l'aiguille des minutes Unter Minutenzeiger Under minute hand	Sous l'aiguille des heures Unter Stundenzeiger Under hour hand	
6	2.29	1.98	1.58	1.44	2.10	1.75	1.55	0.40	0.15
-									

		Aig. des secondes Sekundenzeiger Second hand	Aig. des minutes Minutenzeiger Minute hand	Aig. des heures Stundenzeiger Hour hand	Lors de la pose d'aiguilles, le mouvement doit être soutenu. Beim Zeigersetzen muss das Werk abgestützt werden. The movement needs to be supported for hand setting.	
		775, 785	705, 715, 715Li	Alle/Tous/All		Kaliber/Calibre/Caliber
mg	max.	10	10	30	30	Masse / Masse / Weight *
µNm	max.	0.05	0.05	0.70	0.70	Balourd / Unwucht / Unbalance *
gmm ²	max.	0.2	0.4	-	-	Inertie / Massenträgheit / Inertia *
N	max.	30	30	40	40	Force de chassage / Aufpresskraft / Force

Sous réserve de toutes modifications

Aenderungen vorbehalten

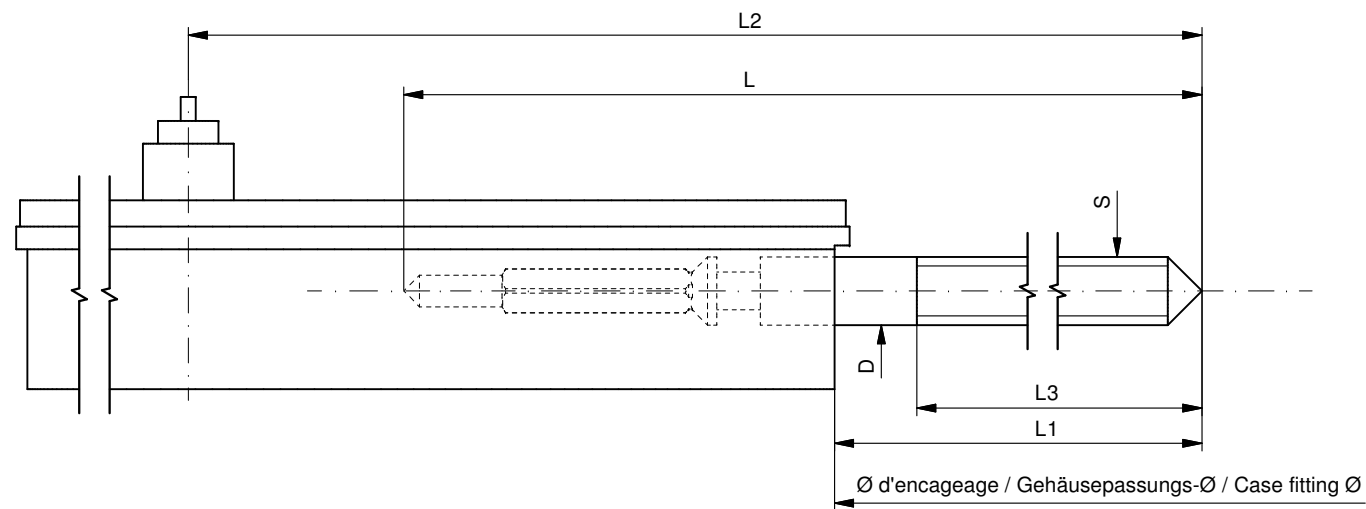
All modifications reserved

Aiguillages Zeigerwerkhöhen Hand fitting heights	7³/₄" , 8³/₄"		Issued	14 Okt 2002	cw
	10¹/₂" , 11¹/₂"		Modified	03 Feb 2012 ÄA 12073	ds
			Released	Yes	
			Tolerance	µm	
			Scale	20 : 1 (A3H)	
RONDA	775, 785, 705, 715, 715Li		Sous réserve de modifications Aenderungen vorbehalten Modifications reserved		
	No.	3316.077	08		

* En cas de données différentes, veuillez contacter le service après-vente

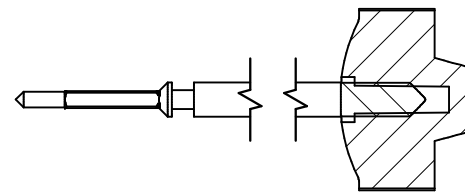
* Bei abweichenden Werten, bitte technischen Kundendienst anfragen

* In case of different values, please contact the customer service



Tige de travail (intégrée dans le mouvement)
 Arbeitstellwelle (im Werk eingebaut)
 Working stem (implemented in the movement)

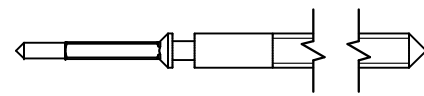
No. d'article Artikelnummer Part number	L	L1	L2	L3	S	D
3000.131.CO	17.24	11.32	19.91	12.00	0.90	0.90



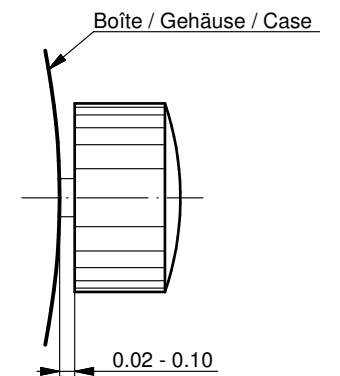
Couleur de la couronne Kronenfarbe Crown color	gris grau gray
Code	UN 7008

Tige (normale) / Stellwelle (normal) / Stem (normal)

No. d'article Artikelnummer Part number	L	L1	L2	L3	S	D
3000.131	17.24	11.32	19.91	12.00	0.90	0.90
3000.152	19.24	13.32	21.91	14.00	0.90	0.90
3000.151	25.00	19.08	27.67	18.76	0.90	0.90
3000.138	32.00	26.08	34.67	20.28	0.90	0.90

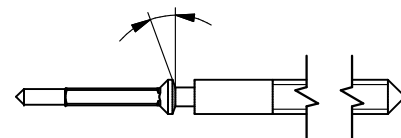


Couronne normale
 Normale Krone
 Normal crown



Tige (à arracher)
 Stellwelle (Ausreissversion)
 Stem (extractable version)

No. d'article Artikelnummer Part number	L	L1	L2	L3	S	D
3000.133	17.24	11.32	19.91	12.00	0.90	0.90

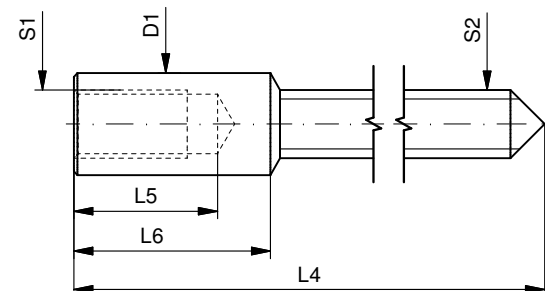


Couronne vissée
 Geschraubte Krone
 Screwed crown

Force ⇐ min. Kraft ⇐ min. Force ⇐ min.	10 N
Force ⇐ max. Kraft ⇐ max. Force ⇐ max.	15 N

Rallonge de tige / Stellwelle Verlängerung / Stem extension

No. d'article Artikelnummer Part number	L4	L5 (min)	L6	S1	S2	D1
3000.040	12.00	1.90	2.60	0.90	0.90	1.35



Tige (dimensions / forces)
 Stellwelle (Dimensionen / Kräfte)
 Stem (dimensions / forces)

RONDA 772, 773, 774, 775

Issued	15 Aug 2012	ds5222
Modified	17 Mär 2017 ÄA 34582	mg5224
Released	YES	
Tolerance	---	
Scale	10:1 (A3)	

Sous réserve de modifications
 Änderungen vorbehalten
 Modifications reserved

No.	5030.005	01
-----	----------	----

Cal. 585	Cal. 6003.D
Cal. 505	Cal. 6004.D
Cal. 515	Cal. 6003.B
	Cal. 6004.B



RONDA powertech

- 585
- 505
- 515

RONDA slimtech

- 1005
- 1006
- 1009
- 1015
- 1016
- 1019

RONDA normtech

- 774 - 6003.D
- 775 - 6004.D
- 704
- 705
- 784
- 785
- 714
- 715
- 715Li

RONDA xtratech

- 6003.B
- 6004.B
- 7002.B
- 7003.B
- 7004.B

Pos. I Position of rest (watch running)

Pos. II Quick-change correction for date

The date can also be corrected during the day-changing phase between 10 pm and midnight. The date of the following day has to be set, because no automatic date change takes place at midnight.

- Pull the crown out to position II (watch still running).
- Turn the crown clockwise until the required date appears.
- Cal. 6003.D & 6004.D:*
- Turn the crown until the required date appears.
- Push the crown back into position I.

Pos. III Setting the time

- Pull the crown out to position III (watch stopped).
- Turn the crown, until the current time is displayed (remember the 24-hour cycle).
- Push the crown back into position I.

Cal. 774	Cal. 715Li
Cal. 775	
Cal. 704	Cal. 1005
Cal. 705	Cal. 1006
Cal. 784	Cal. 1009
Cal. 785	Cal. 1015
Cal. 714	Cal. 1016
Cal. 715	Cal. 1019



Pos. I Position of rest (watch running)

Pos. II Quick-change correction for date

Blocking time for the quick-change day correction is from approx. 9.30 pm and midnight.

- Pull the crown out to position II (watch still running).
- Turn the crown until the current date appears.
- Push the crown back into position I.

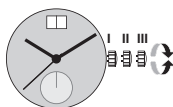
Pos. III Setting the time

- Pull the crown out to position III (watch stopped).
- Turn the crown, until the current time is displayed (remember the 24-hour cycle).
- Push the crown back into position I.

You have decided to buy a watch, which was assembled by a watchmaker using a Ronda movement. Please note that no watches are produced or distributed under the Ronda brand.

In case of repairs, guarantee claims and questions concerning the functioning of a watch, purchasers and consumers should contact their retailer or the watch manufacturer, for which the relevant information can be found in the sales or guarantee documentation provided with the watch.

Cal. 7002.B
Cal. 7003.B
Cal. 7004.B



Pos. I Position of rest (watch running)

Pos. II Quick-change correction for date

The date can also be changed during the day-changing phase between approx. 8.00 pm and midnight. The date of the following day has to be set, because no automatic date change takes place at midnight.

- Pull the crown out to position II (watch still running).
- Turn the crown until the current date appears.
- Push the crown back into position I.

Pos. III Setting the time

- Pull the crown out to position III (watch stopped).
- Turn the crown, until the current time is displayed (remember the 24-hour cycle).
- Push the crown back into position I.

Cal. 585 / 785:

Battery type: 362/SR721SW

Cal. 774 / 775 / 784:

Battery type: 364/SR621SW

Cal. 505 / 515 / 704 / 705 / 714 / 715:

Battery type: 371/SR920SW

Cal. 6003.D / 6004.D / 6003.B / 6004.B:

Battery type: 373/SR916SW

Cal. 1005 / 1006 / 1009 / 1015 / 1016 / 1019:

Battery type: 341/SR714SW

Cal. 7002.B / 7003.B / 7004.B:

Battery type: 381/SR1120SW

Cal. 715Li:

Battery type: CR 2016

Precision: +20/-10 seconds per month



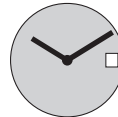
7 3/4^{mm}



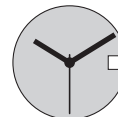
772



773



774



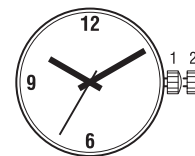
775

Funktionen

Fonctions

Functions

Kaliber	Stellwellenpos.	Funktionen
Calibre	Pos. de tige	Fonctions
Caliber	Stem position	Functions
772/773	1	Normale Position / Position normale / Running position Zeiger stellen, Sekunden-Stopp mit Unterbruch der Motorimpulse
	2	Mise à l'heure, stop-seconde avec interruption des impulsions moteur Hand setting, stop-second with interruption of motor impulses
774/775	1	Normale Position / Position normale / Running position
	2	Datumkorrektur / Correction de la date / Date correction
	3	Zeiger stellen, Sekunden-Stopp mit Unterbruch der Motorimpulse Mise à l'heure, stop-seconde avec interruption des impulsions moteur Hand setting, stop-second with interruption of motor impulses



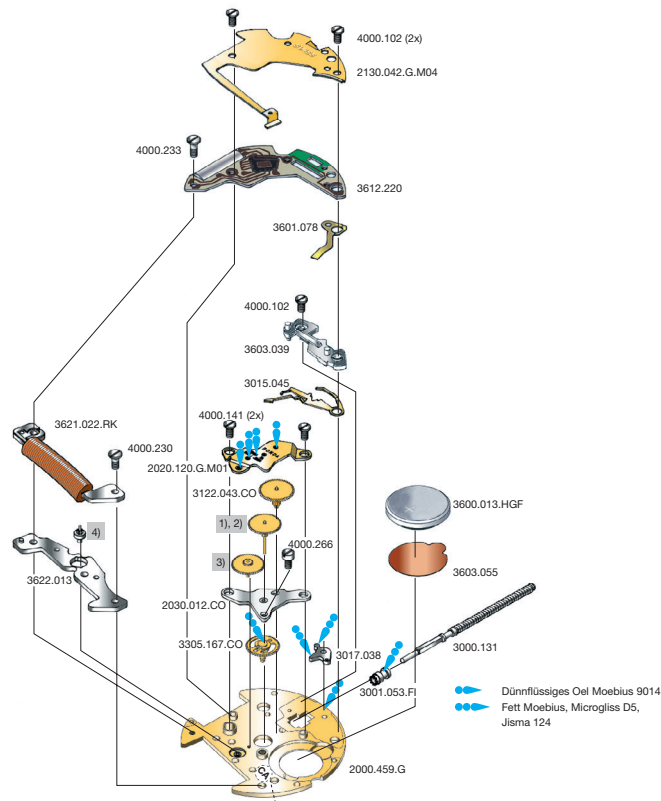
Batterie

Pile

Battery

Kaliber	Batteri	Spannung	Artikelnummer RONDA
Calibre	Pile	Voltage	Numero d'article RONDA
Caliber	Battery	Tension	Part number RONDA
772-775	364/SR621SW	1.55 V	3600.013.HGF

7 3/4''' 772, 773, 774, 775



Cal. 773	Werkseite / Côté mouvement / Movement side		
Nr. / No. / No.	Bestandteile	Fournitures	Spare Parts
2000.459.G	Werkplatte	Platine	Main Plate
2020.120.G.M01	Räderwerkbrücke	Pont rouage	Train w. bridge
2030.012.CO	Zentrumbrücke	Pont centre	Centre bridge
2130.042.G.M04	Modul-Abdeckp.	Couvre module	Module cover pl.
3000.131	Stellwelle	Tige	Stem
3001.053.FI	Kupplungstrieb	Pignon coulant	Sliding pinion
3015.045	Kuppl.-triebhebel	Bascule	Yoke
3017.038	Winkelhebel	Tirette	Setting lever
3122.043.CO	Kleinbodenrad	Roue moyenne	Third wheel
1)	Sekundenrad	Roue secondes	Second-wheel
3)	Zwischenrad	Roue interméd.	Intermed. wheel
3305.167.CO	Minutenrohr	Chaussée	Cannon pinion
3600.013.HGF	Batterie	Pile	Battery
3601.078	Batterie-Kontakt	Bride contact	Battery contact
3603.039	Deckplatte/ Ste.	Couvre mécan.	Setting lev. cover
3603.055	Batterie-Isolation	Isolateur pile	Battery insulation
3612.220	Modul	Module	Module
3621.022.RK	Spule	Bobine	Coil
3622.013	Stator	Stator	Stator
4)	Rotor	Rotor	Rotor
4000.102	Schraube	Vis	Screw
4000.141	Schraube	Vis	Screw
4000.230	Schraube	Vis	Screw
4000.233	Schraube	Vis	Screw
4000.266	Schraube	Vis	Screw

Code: Beispiel CA / exemple CA / exemple CA

Cal. 773, 775

Bis Dez. 2013 Jusqu' en Dec. 2013 Untill Dec. 2013	Ab Jan. 2014 A partir de Jan. 2014 From Jan. 2014
--	---

Code	2. Buchstabe ... Z Second letter ... Z 2 ^{ème} chiffre: ... Z	2. Buchstabe: ab A Second letter: from A 2 ^{ème} chiffre: à partir de A
1)	3136.087.CO	3136.212.CO
3)	3147.019.CO	3147.092.CO
4)	3715.030.RK	3715.139.RK

Die obigen 3 Teile bilden jeweils eine Gruppe. Deshalb sind die 3 Teile jeder Gruppe nicht einzeln gegeneinander austauschbar.

Les 3 fournitures ci-dessous forment un groupe individuel. C'est pourquoi les 3 fournitures de chaque groupe ne sont pas interchangeables.

The 3 parts mentioned above are forming an individual group. Therefore the 3 parts of each group are not interchangeable.

Abweichungen / Divergences / Deviations

Cal. 775	Werkseite / Côté mouvement / Movement side		
3015.040	Kuppl.-triebhebel	Bascule	Yoke

Cal. 772	Werkseite / Côté mouvement / Movement side		
2)	Sekundenrad	Roue secondes	Second-wheel
3)	Zwischenrad	Roue interméd.	Intermed. wheel
3305.176.CO	Minutenrohr	Chaussée	Cannon pinion
4)	Rotor	Rotor	Rotor

Cal. 774	Werkseite / Côté mouvement / Movement side		
3015.040	Kuppl.-triebhebel	Bascule	Yoke
2)	Sekundenrad	Roue secondes	Second-wheel
3)	Zwischenrad	Roue interméd.	Intermed. wheel
3305.176.CO	Minutenrohr	Chaussée	Cannon pinion
4)	Rotor	Rotor	Rotor

Cal. 772, 774

Bis Dez. 2013 Jusqu' en Dec. 2013 Untill Dec. 2013	Ab Jan. 2014 A partir de Jan. 2014 From Jan. 2014
--	---

Code	2. Buchstabe ... Z Second letter ... Z 2 ^{ème} chiffre: ... Z	2. Buchstabe: ab A Second letter: from A 2 ^{ème} chiffre: à partir de A
2)	3136.093.CO	3136.196.CO
3)	3147.019.CO	3147.092.CO
4)	3715.030.RK	3715.139.RK

Die obigen 3 Teile bilden jeweils eine Gruppe. Deshalb sind die 3 Teile jeder Gruppe nicht einzeln gegeneinander austauschbar.

Les 3 fournitures ci-dessous forment un groupe individuel. C'est pourquoi les 3 fournitures de chaque groupe ne sont pas interchangeables.

The 3 parts mentioned above are forming an individual group. Therefore the 3 parts of each group are not interchangeable.

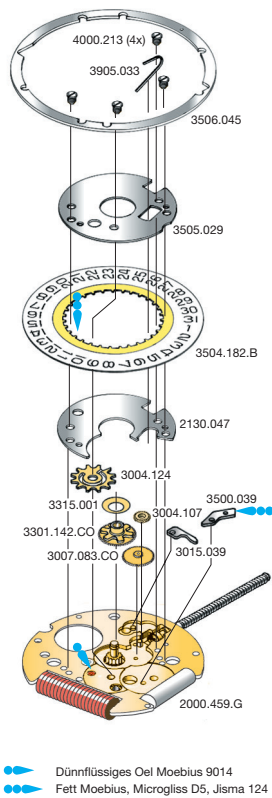
Werkaufbau

Assemblage

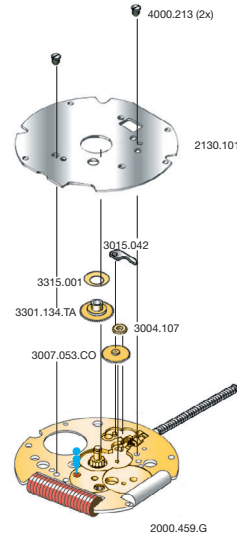
Assembling

7 3/4''' 774, 775

7 3/4''' 772, 773



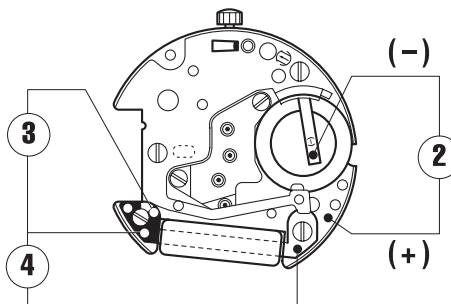
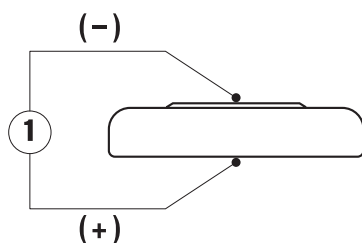
Dünnflüssiges Öl Moebius 9014
 Fett Moebius, Microgliss D5, Jisma 124



Dünnflüssiges Öl Moebius 9014

Cal. 774, 775 Zifferblattseite / Côté cadran / Dial side			
Nr./No./No.	Bestandteile	Fournitures	Spare Parts
2130.047	Kalenderplatte	Plaque calend.	Date ind. plate
3004.107	Zeigerstellrad	Renvoi minuterie	Setting wheel
3004.124	Datumitn.-Rad	Renvoi entrain.	Ind. driving wheel
3007.083.CO	Wechselrad	Minuterie	Minute wheel
3015.039	Kup.triebhebel u.	Bascule dessous	Lower sec. yoke
3301.142.CO	Stundenrad	Canon	Hour wheel
3315.001	Spreifeder	Clinquant 2 1/2	Washer 2 1/2
3500.039	Daturnaste	Cliquet calend.	Date jumper
3504.182.B	Datumanzeiger	Bague	Date indicator
3505.029	Kal.-Abdeckplatte	Couvercle calend.	Date ind. guard
3506.045	Zifferblattstützring	Support cadran	Dial support
3905.033	Feder Daturnaste	Ressort calend.	Date jumper spr.
4000.213	Schraube	Vis	Screw

Cal. 772, 773 Zifferblattseite / Côté cadran / Dial side			
Nr./No./No.	Bestandteile	Fournitures	Spare Parts
2130.101	Zeigerwerkhaltepl.	Plaque calend.	Date ind. plate
3004.107	Zeigerstellrad	Renvoi minuterie	Setting wheel
3007.053.CO	Wechselrad	Minuterie	Minute wheel
3015.042	Kup.triebhebel u.	Bascule dessous	Lower sec. yoke
3301.134.TA	Stundenrad	Canon	Hour wheel
3315.001	Spreifeder	Clinquant 2 1/2	Washer 2 1/2
4000.213	Schraube	Vis	Screw



Kaliber Calibre Caliber	Pos. Pos. Pos.	Einheit Unité Unit	Messwerte Valeurs mesurées Measured values	Kontrolle Contrôle Check	Bemerkungen Remarques Remarks
772-775	1	V	1,55	Batterie-Spannung Tension de la pile Battery voltage	Batterie herausnehmen und messen Enlever et mesurer la pile Remove battery for measuring
772-775	2	µA	0,70-1,35	Stromaufnahme (Kalender nicht im Eingriff) Consommation de courant (quantième non en prise) Current consumption (Date mechanism not in gear)	Ohne Batterie, mit externer Speisung Sans pile, avec alimentation externe Without battery, with external power supply
772-775	2	V	≤ 1,35	Funktionskontrolle bei Minimalspannung Contrôle de fonctionnement à tension minimale Check with lowest possible voltage	Ohne Batterie, mit externer Speisung Sans pile, avec alimentation externe Without battery, with external power supply
772-775	3	KΩ	1,75-1,95	Spulenwiderstand Résistance de la bobine Resistance of the coil	Ohne Batterie Sans pile Without battery
772-775	4	KΩ	∞	Spulenisolation Isolation de la bobine Coil insulation	Ohne Batterie Sans pile Without battery
772-775		Sek./Monat sec./mois sec./month	- 10/+ 20	Induktivsonde 60 Sek. Senseur inductif 60 sec. Inductive sensor 60 sec.	Mit Batterie Avec pile With battery

Einschalen / Werkzeuge

Emboîtement / outils

Casing / tools

Nr. H 77X.1A



Nr. H 77X.1T



SWISS MADE	SWISS PARTS

Zeigersetzen

Maximale Aufpresskraft:

- Stunden und Minutenzeiger: max. 40N
- Sekundenzeiger: max. 30N

Beim Zeigersetzen muss das Werk abgestützt werden.

Poser les aiguilles

Force de chassage maximale:

- Aiguilles des heure et des minutes: max. 40N
- Aiguille des secondes: max. 30N

Lors de la pose d'aiguilles, le mouvement doit être soutenu.

Hand setting

Maximal force:

- Hour and minute hands: max. 40N
- Second hand: max. 30N

The movement needs to be supported for hand setting.

Kal. 712, 713 Stellwelle entfernen	Kal. 714, 715 Stellwelle entfernen
Beim Entfernen der Stellwelle muss sich die Stellwelle in Position 1 (gedrückt) befinden, bevor auf den Winkelhebel gedrückt wird.	Beim Entfernen der Stellwelle muss sich die Stellwelle in Position 2 befinden, bevor auf den Winkelhebel gedrückt wird.
Kal. 712, 713 Enlever la tige	Kal. 714, 715 Enlever la tige
En enlevant la tige, la tige doit se trouver en position 1 (poussée), avant de pousser sur la tirette.	En enlevant la tige, la tige doit se trouver en position 2 , avant de pousser sur la tirette.
Kal. 712, 713 Stem removal	Kal. 714, 715 Stem removal
For removal of the stem, the stem must be in position 1 (pressed in) prior to apply pressure to the setting lever.	For removal of the stem, the stem must be in position 2 prior to apply pressure to the setting lever.